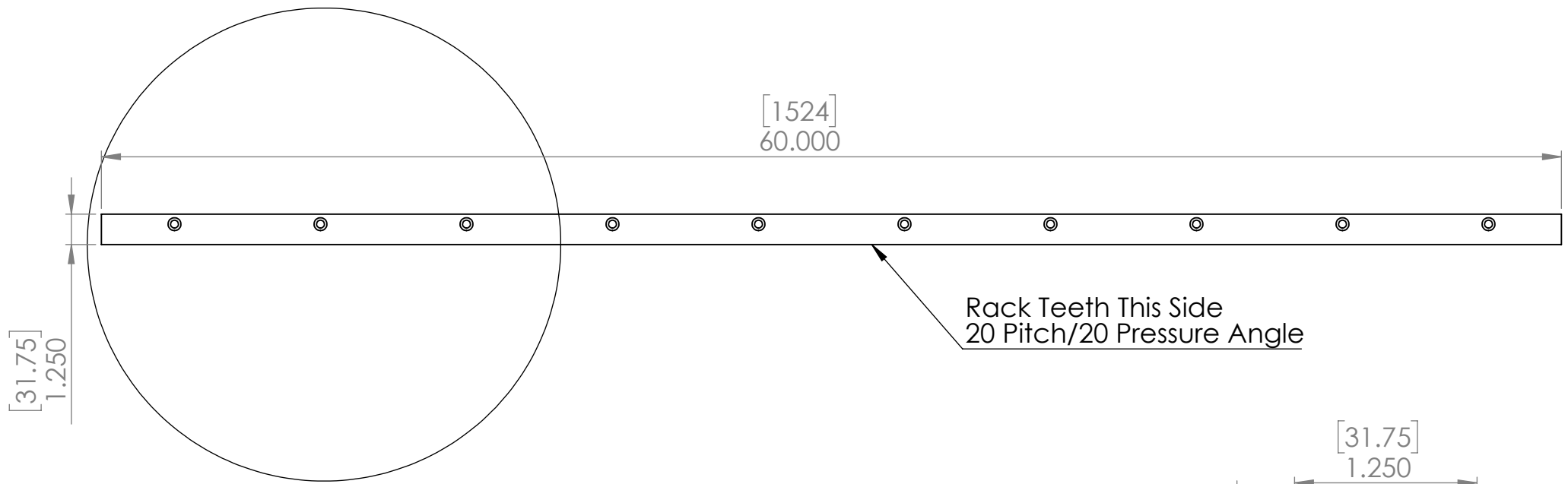


902 013

60in. Gear Rack (902 013)

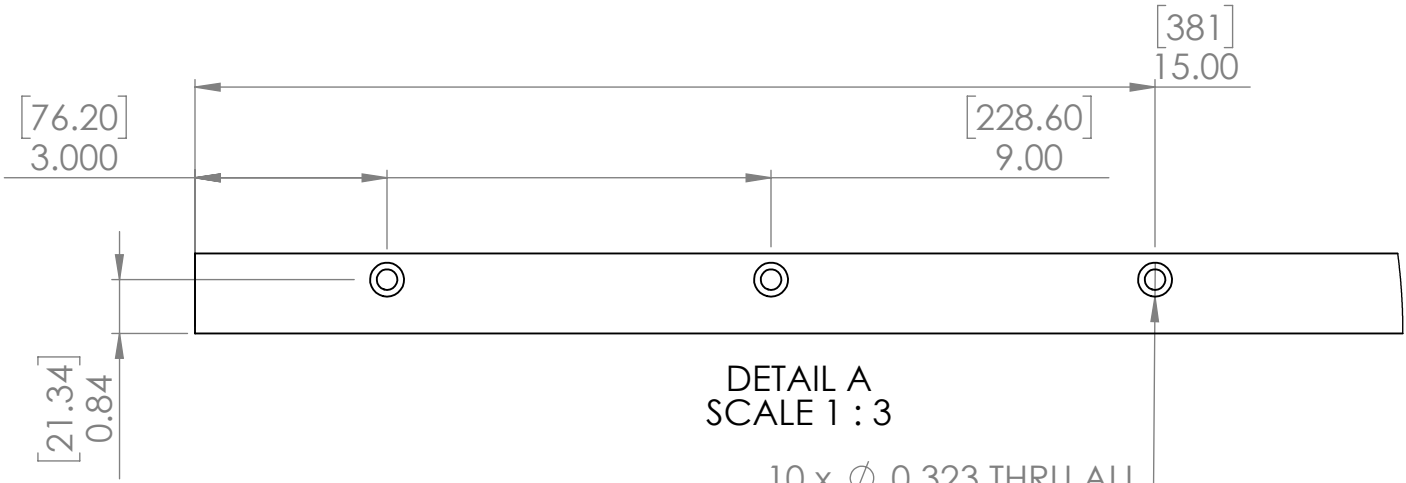
A



[1524]
60.000

Rack Teeth This Side
20 Pitch/20 Pressure Angle

[31.75]
1.250



[76.20]
3.000

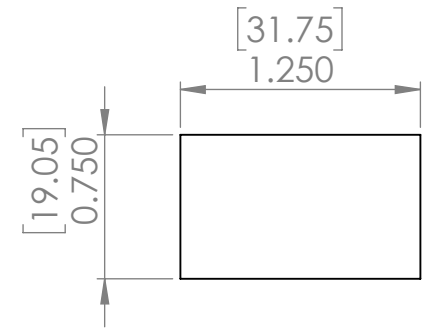
[228.60]
9.00

[381]
15.00

[21.34]
0.84

DETAIL A
SCALE 1 : 3

10 x ϕ 0.323 THRU ALL
 \square ϕ 0.531 ∇ 0.313



[19.05]
0.750

[31.75]
1.250

[in]
mm

