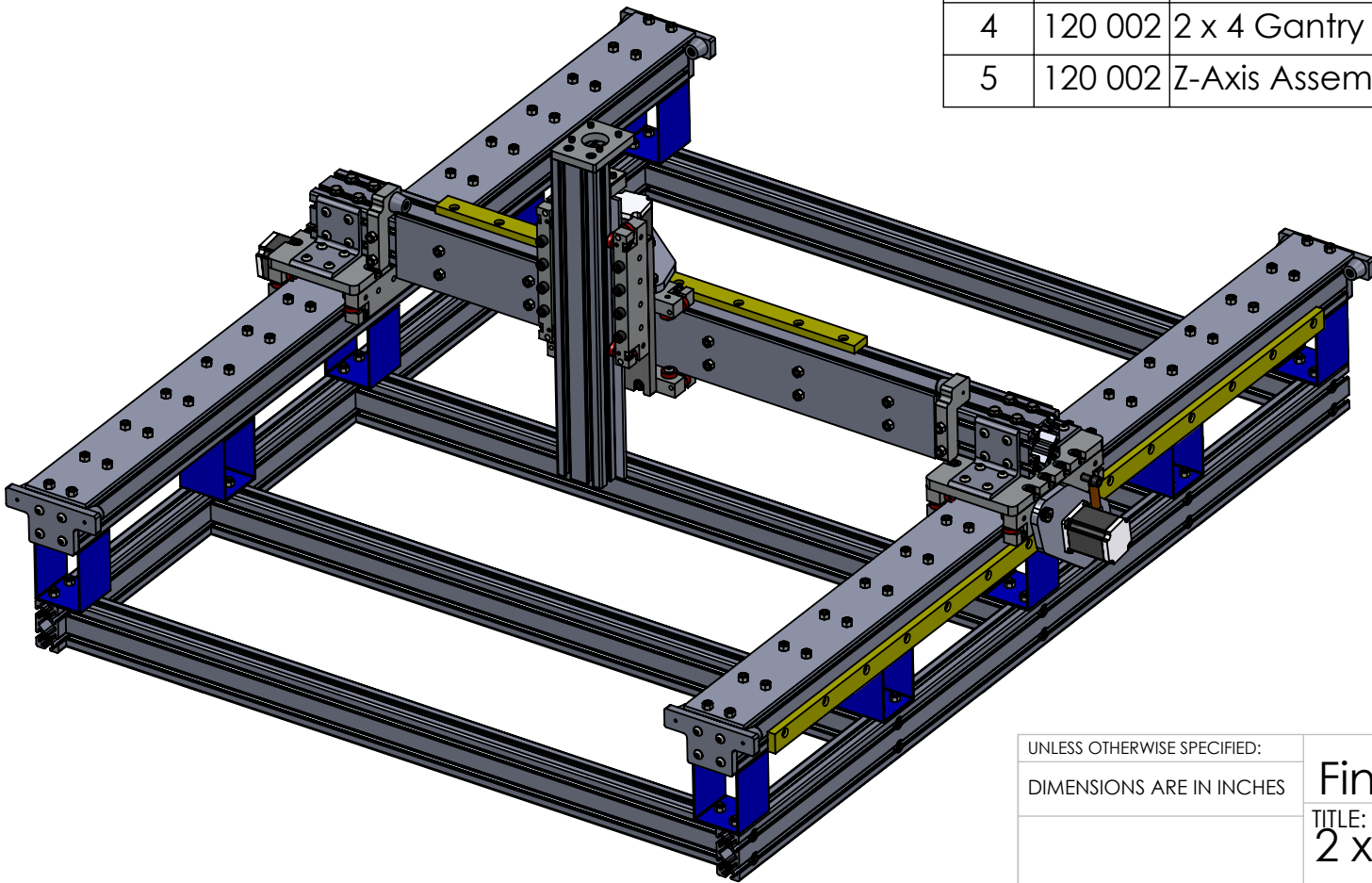


ITEM NO.	PART NUMBER	DESCRIPTION	QTY
1	120 00	2 x 4 Machine Base Assembly	1
2	120 001	Gantry Interface Assembly	2
3	905 000	NEMA 23 Rack And Pinion Drive	3
4	120 002	2 x 4 Gantry	1
5	120 002	Z-Axis Assembly	1



UNLESS OTHERWISE SPECIFIED:

DIMENSIONS ARE IN INCHES

MATERIAL

FINISH

DO NOT SCALE DRAWING

Fine Line Automation
 TITLE:
 2 x 4 CNC Router (920
 005)

DATE

NAME

DRAWN

3/18/2014

NWL

SCALE: 1:10

SHEET 1 OF 1